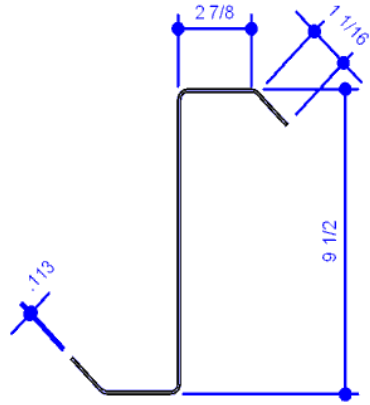


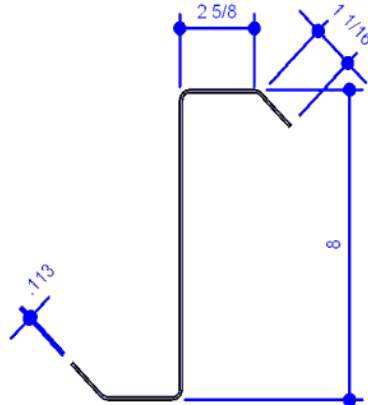
Z Purlins / Girts

All Members Are G30 Galvanized, All Units Are In Inches

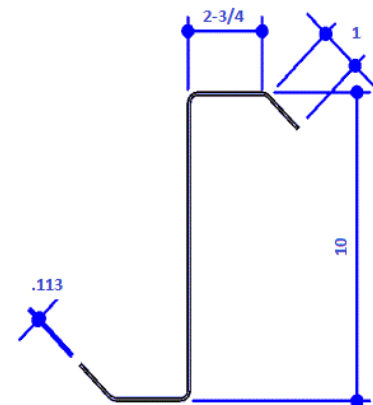
Note: It Is Customer's Responsibility To Ensure Their Design Is Reviewed And Approved By Proper Authorities In Accordance With Local Code And Laws



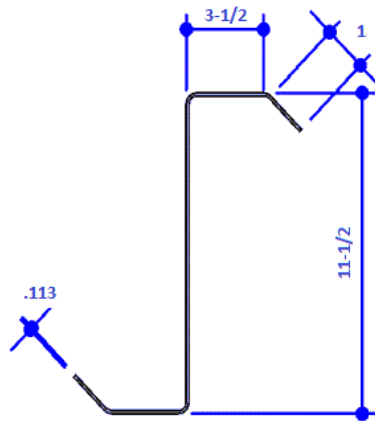
Available unpunched, 0.113 thick only.



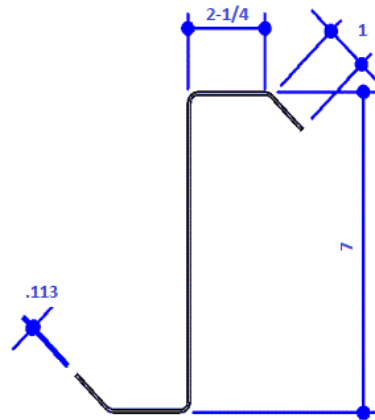
Available unpunched, 0.113 thick only.



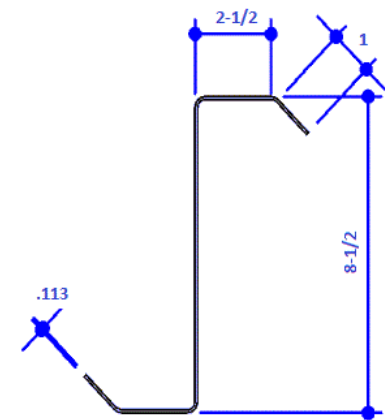
Available minimally punched, 0.060, 0.068, 0.073, 0.079, 0.088, 0.098, and 0.113 thick only.



Available minimally punched, 0.068, 0.073, 0.088, and 0.113 thick only.



Available minimally punched, 0.060, 0.073, 0.098, and 0.113 thick only.



Available minimally punched, 0.060, 0.068, 0.073, 0.079, 0.088, 0.098, and 0.113 thick only.